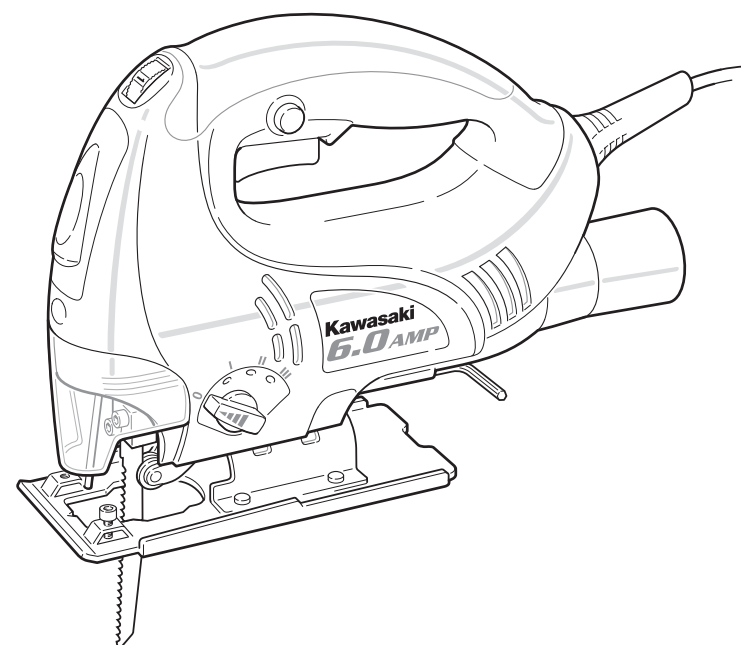


# Kawasaki™

## 6.0 AMP PORTABLE JIGSAW

### INSTRUCTION MANUAL



THIS MANUAL CONTAINS IMPORTANT INFORMATION REGARDING SAFETY, OPERATION, MAINTENANCE AND STORAGE OF THIS PRODUCT. BEFORE USE, READ CAREFULLY AND UNDERSTAND ALL CAUTIONS, WARNINGS, INSTRUCTIONS AND PRODUCT LABELS. FAILURE TO DO SO COULD RESULT IN SERIOUS PERSONAL INJURY AND/OR PROPERTY DAMAGE.

IF YOU SHOULD HAVE ANY QUESTIONS OR EXPERIENCE A PROBLEM WITH YOUR ALLTRADE PRODUCT, DO NOT RETURN THIS PRODUCT TO THE STORE. PLEASE CALL OUR CUSTOMER SERVICE DEPARTMENT AT **1-800-590-3723**. BEFORE YOU CALL, HAVE THE FOLLOWING INFORMATION AVAILABLE: MODEL No., DATE PURCHASED AND STORE LOCATION. AN ALLTRADE REPRESENTATIVE CAN RESOLVE YOUR PROBLEM OVER THE PHONE. IF YOU WOULD LIKE TO MAKE A SUGGESTION OR COMMENT, GIVE US A CALL OR EMAIL US AT: [INFO@ALLTRADETOOLS.COM](mailto:INFO@ALLTRADETOOLS.COM). YOUR FEEDBACK IS VITAL TO US.

**FOR CUSTOMER SERVICE**  
**POUR LE SERVICE APRÈS VENTE**  
**OU DU CONSOMMATEUR**  
**PARA EL SERVICIO**  
**PARA EL CONSUMIDOR**  
**1-800-590-3723**

Printed in China

## Kawasaki

Kawasaki Motors Corp., U.S.A.

**OFFICIAL • LICENSED • PRODUCT**  
87-1904-60957

KAWASAKI™ IS A TRADEMARK LICENSED BY KAWASAKI™ MOTORS CORP., U.S.A., WHICH DOES NOT MANUFACTURE OR DISTRIBUTE THIS PRODUCT. CONSUMER INQUIRES SHOULD BE DIRECTED TO:

©COPYRIGHT 2006 ALLTRADE TOOLS, LLC.  
1431 VIA PLATA  
LONG BEACH, CA 90810-1462 USA

840276\_6.0 AMP Portable Jigsaw\_Rev 8/22/06

## TABLE OF CONTENTS

<b>CONGRATULATIONS!</b>	2
<b>INTENDED USE</b>	2
<b>SECTION ONE</b>	
GENERAL SAFETY RULES – FOR ALL ELECTRIC POWER TOOLS	2
RECOGNIZE SAFETY SYMBOLS, WORDS AND LABELS	2-3
IMPORTANT SAFEGUARDS	3
WORK AREA	4
ELECTRICAL SAFETY	4
PERSONAL SAFETY	5
TOOL USE AND CARE	5-6
SERVICE	6
<b>SECTION TWO</b>	
SPECIFIC SAFETY RULES AND/OR SYMBOLS	6
IMPORTANT SAFETY RULES FOR JIGSAWS	6-7
SYMBOLS	8
<b>SECTION THREE</b>	
FUNCTIONAL DESCRIPTION	9
ASSEMBLY	9-10
ATTACHING THE BLADE	10
OPERATING THE JIGSAW	11-14
ADJUSTING SPEED	11
OPERATING THE ON/OFF SWITCH	11
PENDULUM STROKE ADJUSTMENT	12
SAW SHOE/PLATE ADJUSTMENT	12
DUST EXTRACTION	13
CUTTING TIPS	13
POCKET CUTTING	14
<b>SECTION FOUR</b>	
MAINTENANCE AND CLEANING	14
ACCESSORIES	15
SPECIFICATIONS	15
OTHER CONSUMER DO-IT-YOURSELF (DIY) TOOLS	16
<b>SECTION FIVE</b>	
3 YEAR LIMITED WARRANTY	17-20

## CONGRATULATIONS!

Thanks for choosing this product. At Alltrade, our aim is to provide you with quality products at an affordable price, and we want you to be totally satisfied with your product and our Customer Service. If any help and advice is needed, please contact us at 1-800-590-3723. Properly cared for, this tool will give you many years of satisfaction.

## INTENDED USE

This tool is intended for consumer use only. This tool is not designed for professional use. The power cord should only be used in approved electrical outlets as described in this manual.

## GENERAL SAFETY RULES – FOR ALL ELECTRIC POWER TOOLS

**⚠ WARNING** READ AND UNDERSTAND ALL INSTRUCTIONS. Failure to follow all instructions listed below may result in electric shock, fire and/or serious personal injury.

## RECOGNIZE SAFETY SYMBOLS, WORDS AND LABELS

The safety instructions provided in this manual are not intended to cover all possible conditions and practices that may occur when operating, maintaining and cleaning power tools.

Always use common sense and pay particular attention to all the **DANGER**, **WARNING**, **CAUTION** and **NOTE** statements of this manual.



This is the safety alert symbol. It is used to alert you to potential personal injury hazards. Obey all safety messages that follow this symbol to avoid possible injury or death.

**⚠ DANGER**

**DANGER** indicates an imminently hazardous situation which, if not avoided, will result in death or serious injury.

**⚠ WARNING**

**WARNING** indicates a potentially hazardous situation which, if not avoided, could result in death or serious injury.

**⚠ CAUTION**

**CAUTION** indicates a potentially hazardous situation which, if not avoided, may result in minor or moderate injury.

**CAUTION**

**CAUTION** used without the safety alert symbol indicates a potentially hazardous situation which, if not avoided, may result in property damage.

**NOTE**

**NOTE** provides additional information that is useful for proper use and maintenance of this tool. If a NOTE is indicated make sure it is fully understood.

**IMPORTANT SAFEGUARDS**

**⚠ DANGER**

People with electronic devices, such as pacemakers, should consult their physician(s) before using this product. Operation of electrical equipment in close proximity to a heart pacemaker could cause interference or failure of the pacemaker.

**WARNING:** Some dust created by power sanding, sawing, grinding, drilling and other construction activities contains chemicals known to the State of California to cause cancer, birth defects or other reproductive harm.

Some examples of these chemicals are:

- Lead from lead-based paints.
- Crystalline silica from bricks and cement and other masonry products, and arsenic and chromium from chemically-treated lumber.

Your risk from these exposures varies, depending on how often you do this type of work. To reduce your exposure to these chemicals: work in a well ventilated area, and work with approved safety equipment, such as dust masks that are specially designed to filter out microscopic particles.

**WARNING:** Handling the power cord on corded products may expose you to lead, a chemical known to the State of California to cause cancer and birth defects or other reproductive harm. *Wash hands after handling.*

**SAVE THESE INSTRUCTIONS FOR FUTURE REFERENCE.**

**WORK AREA**

**⚠ WARNING**

**Keep your work area clean and well lit.** Cluttered work benches and dark work areas may cause accidents or injury.

**Do not operate power tools in explosive areas, such as in the presence of flammable liquids, gases or dust.** Power tools create sparks which may ignite the dust or fumes.

**Keep bystanders, children and visitors away while operating a power tool.** Distractions can cause you to lose control.

**ELECTRICAL SAFETY**

**⚠ WARNING**

Double insulated tools are equipped with a polarized plug (one blade is wider than the other.) This plug will fit in a polarized outlet only one way. If the plug does not fit fully in the outlet, reverse the plug. If it still does not fit, contact a qualified electrician to install a polarized outlet. **Do not change the plug in any way.** Double insulation eliminates the need for the three wire grounded power cord and grounded power supply system.

**Avoid body contact with grounded surfaces such as pipes, radiators, ranges and refrigerators.** There is an increased risk of electric shock if your body is grounded.

**Don't expose power tools to rain or wet conditions.** Water entering a power tool will increase the risk of electric shock.

**Do not abuse the cord. Never use the cord to carry the tool or pull the plug from an outlet. Keep the cord away from heat, oil, sharp edges, or moving parts. Replace damaged cords immediately.** Damaged cords increase the risk of electric shock.

**When operating the tool outside, use an outdoor extension cord marked "W-A" or "W."** These cords are rated for outdoor use and reduce the risk of electric shock.

## PERSONAL SAFETY

### **WARNING**

Stay alert, watch what you are doing, and use common sense when operating a power tool. Do not use tool while tired or under the influence of drugs, alcohol or medication. A moment of inattention while operating power tools may result in serious personal injury.

Dress properly. Do not wear loose clothing or jewelry. Contain long hair. Keep your hair, clothing, and gloves away from moving parts. Loose clothes, jewelry or long hair can be caught in moving parts.

Avoid accidental starting. Be sure switch is off before plugging in. Carrying tools with your finger on the switch or plugging in tools that have the switch on invites accidents.

Remove adjusting keys or wrenches before turning the power tool "ON". A wrench or a key that is left attached to a rotating part of the power tool may result in personal injury.

Do not overreach. Keep proper footing and balance at all times. Proper footing and balance enables better control of the power tool in unexpected situations.

Use safety equipment. Always wear eye protection. Dust mask, non-skid safety shoes, hard hat or hearing protection must be used for appropriate conditions.

If devices are provided for the connection of dust extraction and collection facilities, ensure these are connected and properly used. Use of these devices can reduce dust related hazards.

## TOOL USE AND CARE

### **CAUTION**

Use clamps or other practical ways to secure and support the workpiece to a stable platform. Holding the work by hand or against your body is unstable and may lead to loss of control.

Do not force tool. Use the correct tool for your application. The correct tool will do the job better and safer at the rate for which it is designed.

Do not use the tool if the power switch does not turn it "ON" or "OFF". Any tool that cannot be controlled with the switch is dangerous and must be repaired.

Disconnect the power cord plug from the power source before making any adjustments, changing accessories or storing the tool. Such preventive safety measures reduce the risk of starting the tool accidentally.

### **CAUTION**

Store idle tools out of reach of children and other untrained persons. Tools are dangerous in the hands of untrained users.

Maintain tools with care. Keep cutting tools sharp and clean. Properly maintained tools with a sharp cutting edge are less likely to bind and are easier to control.

Check for misalignment or binding of moving parts, breakage of parts, and any other condition that may affect the tool's operation. If damaged, have the tool serviced before using. Many accidents are caused by poorly maintained tools.

Use only accessories that are recommended by the manufacturer for your model. Accessories that may be suitable for one tool may create a risk of injury when used on another tool.

Use the power tool, accessories and tool bits etc., in accordance with these instructions and in the manner intended for the particular type of power tool, taking into account the working conditions and the work to be performed. Use of the power tool for operations different from intended could result in a hazardous situation.

## SERVICE

Tool service must be performed only by qualified repair personnel. Service or maintenance by unqualified personnel could result in a risk of injury.

When servicing a tool, use only identical replacement parts. Follow instructions in the Maintenance section of this manual. Use of unauthorized parts or failure to follow Maintenance Instructions may create a risk of shock or injury.

## SPECIFIC SAFETY RULES AND/OR SYMBOLS

### **CAUTION**

Hold tool by insulated gripping surfaces when performing an operation where the cutting tool may contact hidden wiring. Contact with a "live" wire will also make exposed metal parts of the tool "live" and shock the operator.

## IMPORTANT SAFETY RULES FOR JIGSAWS

### **WARNING**

Always wear safety goggles or other approved eye protection when using this tool. Always use an appropriate dust mask or respirator during operations where dust can be generated. To reduce exposure to these chemicals always work in a well ventilated area. Use approved safety equipment and dust masks that are specially manufactured to filter out microscopic particles.

**⚠ CAUTION**

**Hold the Jigsaw by the insulated gripping surfaces when performing an operation where the blade may contact hidden wiring or the tool power cord.** Contact with a "live" electrical wire will make exposed metal parts of the jigsaw "hot" and create a potential for electrical shock to the operator. Do not cut into existing walls or other blind areas where existing electrical wires may be present. If this situation is necessary, remove all fuses and/or turn all circuit breakers off in the work area. After cuts have been completed in the blind areas, inspect to ensure that no electrical wire was cut or nicked before reinstalling fuses and/or engaging circuit breakers.

**Never leave the jigsaw with the trigger left in the locked "ON" position. Before plugging in the jigsaw, inspect to make sure the trigger lock is in the "OFF" position.** Accidentally plugging the jigsaw in with the trigger lock engaged can result in premature starting of the tool, which can cause damage to the tool and/or serious injury to the operator.

**Keep hands away from the cutting area. Do not reach under material being cut while the jigsaw is running.** Serious injury could occur. Always turn the jigsaw "OFF" before inspecting the cutting area.

**Do not use dull or damaged blades with the jigsaw.** Bent or damaged blades can break or cause a kickback resulting in serious injury to the operator. Dull blades will cause the jigsaw to perform improperly and may damage the tool.

**Before starting to cut with the jigsaw, turn it "ON" and allow the blade to come to full speed.** The jigsaw can chatter or vibrate if the blade speed is too slow at the start of the cut. This can cause the jigsaw to kickback and damage the work area or cause injury.

**Always secure working material before attempting to make a cut with the jigsaw.** Never hold the material with your free hand or across your legs. Small or thin material may flex or vibrate causing loss of control and possible injury.






**Make sure all adjusting screws on the jigsaw are firmly tightened.** Failure to tighten the adjustment screws can cause the blade to disengage from its holder possibly damaging the jigsaw or causing injury to the operator.

**Keep the shoe flat on the work piece.**

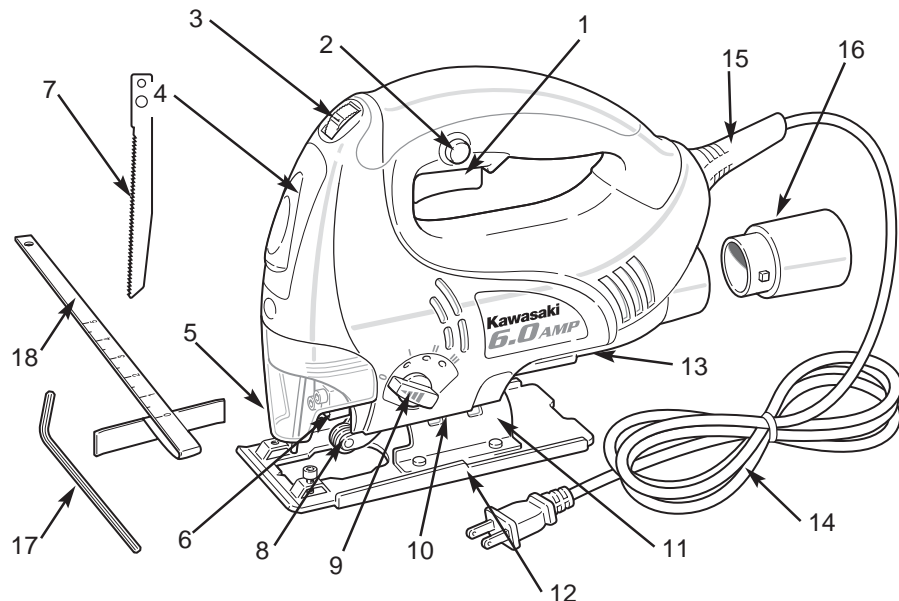
**When removing the blade or other accessories from the jigsaw, avoid contact with the skin. Always wear protective gloves when handling the jigsaw or any accessory.** The blade can become hot after prolonged use and will cause burns.

**SYMBOLS**

**IMPORTANT:** Some of the following symbols may be used on your tool. Please study them and learn their meaning. Proper interpretation of these symbols will allow you to operate the tool better and safer.

SYMBOL	NAME	EXPLANATION
V	Volts	Voltage (Potential)
A	Amperes	Current
Hz	Hertz	Frequency (Cycles per Second)
W	Watt	Power
Kg	Kilograms	Weight
	Alternating Current	Type of Current
	Direct Current	Type of Current
	Alternating or Direct Current	Type of Current
	Earthing Terminal	Grounding Terminal
	Class II Construction	Denotes Double Insulation
min	Minutes	Time
s	Seconds	Time
φ	Diameter	Size of Drill Bits, Grinding Wheels, etc.
$n_0$	No load speed	No-load Rotational Speed
.../min	Revolutions per Minute	Revolutions, Surface Speed, Strokes, etc. per Minute
1,2,3, ...	Ring Selector Settings	Speed, Torque or Position Settings

## FUNCTIONAL DESCRIPTION



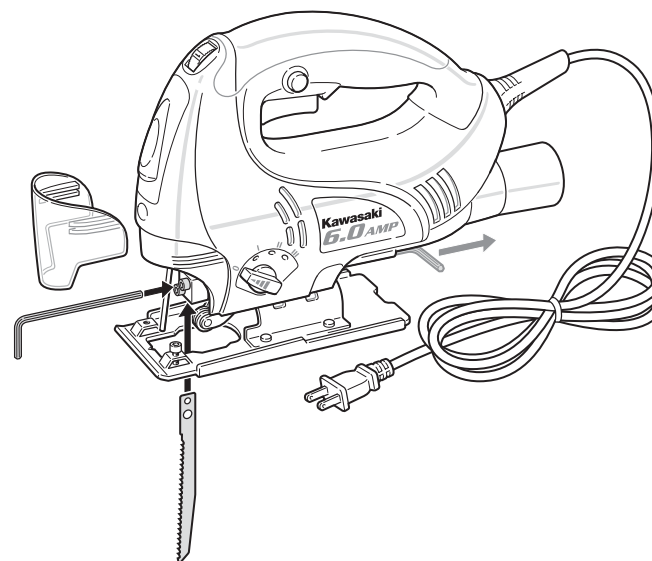
### CONTROLS AND COMPONENTS:

- |                                   |                              |
|-----------------------------------|------------------------------|
| 1. Trigger                        | 10. Bevel Markings           |
| 2. Trigger Lock                   | 11. Bevel Plate              |
| 3. Speed Control Adjusting Switch | 12. Base Plate               |
| 4. Gear Housing                   | 13. Hex Wrench Storage       |
| 5. Blade Guard                    | 14. Power Cord               |
| 6. Blade Holder                   | 15. Power Cord Strain Relief |
| 7. Blade                          | 16. Vacuum Attachment        |
| 8. Roller Guide                   | 17. Hex Wrench               |
| 9. Stroke Adjustment Switch       | 18. Rip Fence Guide          |

## ASSEMBLY

**⚠ WARNING** Disconnect plug from AC power source before assembling parts, making adjustments, or changing blades. Failure to remove electrical power could cause accidental starting of the jigsaw resulting in serious injury to the operator and/or damage to the tool.

## ATTACHING THE BLADE



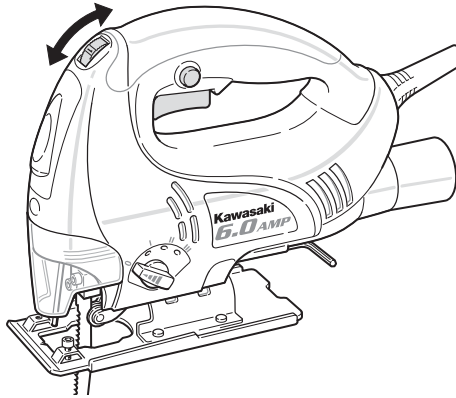
1. Firmly grip the plastic blade guard and slide it up to expose the blade clamp.
2. Using a hex wrench (provided in a slot beneath the motor), loosen the two hex socket-head screws on the blade clamp until it slides forward enough to open a slot for the blade.
3. Insert the blade into the blade clamp with the cutting edge facing to the front of the jigsaw.
4. Using a hex wrench, securely tighten the two hex socket-head screws on the blade clamp.
5. Using a hex wrench, loosen the two hex socket-head screws holding the bottom board and the guide roller on the saw housing.
6. Slide the guide roller forward until the back of the blade fits loosely in the center groove. Using a hex wrench, securely tighten the two hex socket-head screws holding the guide roller and bottom board to the saw housing.

## OPERATING THE JIGSAW

**⚠ WARNING** Disconnect the power plug from the AC power source before any assembly, adjustments, or adding/removing accessories. Following this preventative step reduces the risk of the saw coming on accidentally and the risk of damage to the workpiece and injury to the operator.

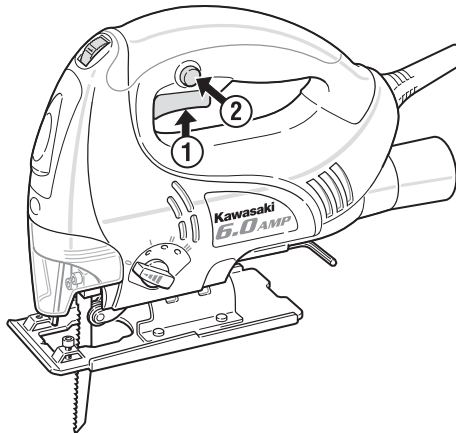
### ADJUSTING SPEED

The operating speed of the jigsaw can be varied by using the Speed Control Switch located on the top of the jigsaw. Turn the speed control from 0 to 6 to set the speed. On most cuts, such as wood and metal, the faster speed works best. On other materials, such as plastic or laminants, a slower speed might be necessary to reduce vibration and make smoother cuts.



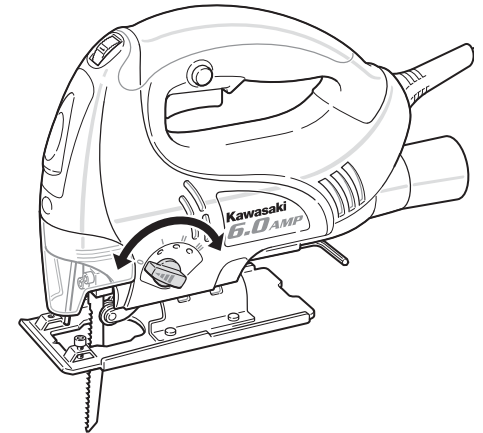
### OPERATING THE ON/OFF SWITCH

Plug the jigsaw into an approved 115 V AC outlet. This tool is double insulated and equipped with a polarized plug (one blade is wider than the other). Double insulation eliminates the need for a special three-wire grounded power supply. Holding the jigsaw by the insulated handle, squeeze the trigger to turn the jigsaw **ON** and release the trigger to turn the jigsaw **OFF**. Allow the blade to reach the maximum set speed before bringing it in contact with the workpiece.



## PENDULUM STROKE ADJUSTMENT

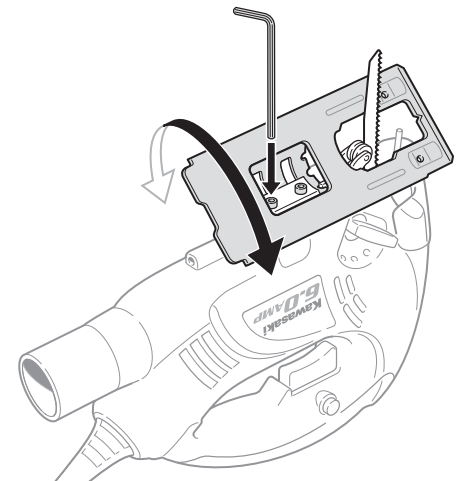
Together with the electronic speed regulation, the pendulum stroke adjustment helps to set the best combination of blade speed and aggressiveness needed to achieve a desired cut rate and fineness. The pendular knob is used to make the adjustment. The best pendulum stroke setting for the particular work to be carried out can be obtained from the following table. When using a knife blade, the pendulum setting should be 0. We recommend the use of appropriate lubrication for cutting metal.



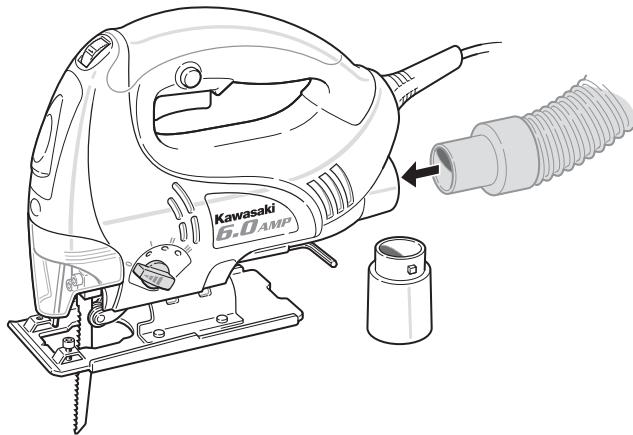
Sheet metal	0	Steel	0- I
Aluminium	I-II	Plastic	I-II
Plywood	0- I	Wood	I-III

### SAW SHOE / PLATE ADJUSTMENT

Disconnect the unit from the power supply. Raise the safety guard and loosen the hex screw on the shoe plate with the hex wrench. Pull the shoe plate backward and set the desired angular adjustment according to the scale or push the shoe plate forward for fixed Locks at 0°, 15°, 30° or 45°. Tighten the hex screws again. Always replace the hex wrench in the hex wrench holder on the shoe plate immediately after use.



## DUST EXTRACTION



Align your blade with your cutting line. In order to improve dust extraction from the working surface, the saw has a sawdust blowing system, which clears dust from the cutting line. In addition, a vacuum cleaner adapter can be used to connect to an ordinary household vacuum cleaner. The adapter is fitted into the outlet at the rear of the jig saw. The vacuum extraction system will work most effectively when the safety guard is in the down position.

## CUTTING TIPS

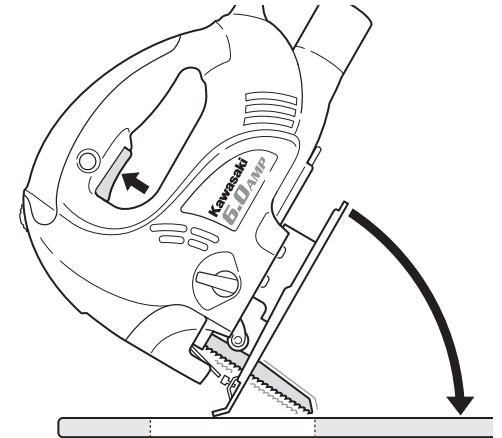
Place the finish side of the workpiece down and clamp it to a workbench or table. Draw cutting lines on the back side. Place the front edge of the saw baseplate on the workpiece and line up the blade with the line to be cut. Press the jigsaw down firmly on the workpiece and cut slowly along the guidelines. Build up cutting speed as you progress. If you want to leave room for finish sanding, cut slightly to the outside of the drawn guidelines.

### CAUTION

**Do not force the jigsaw into the workpiece.** This could cause the blade teeth to wear down without cutting or even cause the blade to break causing damage to the jigsaw or injury to the operator. Let the saw reach full speed before engaging the workpiece.

## POCKET CUTTING

The saw blade can be inserted directly into a wood surface without first drilling a pilot hole thus eliminating the drilling operation. First measure and clearly mark the surface to be cut. Then tip the saw forward so that the rounded tips of the shoe rest on the work surface, but with the blade well clear of it. Switch on and move the saw in its tilted position until the moving blade is exactly over the chosen point of entry. Lower the rear of the shoe to the shoe tips with the blade exactly on the line. Do not move the saw forward along its cut until the saw blade has completely entered the material and the shoe comes to rest flat on the surface. Alternatively, drill a 12mm hole to start an enclosed pocket cut.



## MAINTENANCE AND CLEANING

### WARNING

**CLEANING:** To avoid accidents, be sure to disconnect the tool from the electrical power source before any cleaning or maintenance. The tool can be cleaned by using compressed dry air. If compressed air is not available, a soft natural bristle paint brush will work. Always wear safety goggles when cleaning tools with compressed air.

### CAUTION

**Avoid using certain cleaning agents and solvents.** Chemicals like gasoline, carbon tetrachloride, acetone, paint thinner or ammonia products can damage the plastic parts of the tool.

This power tool normally requires no maintenance, however, lubricating the guide roller from time to time with a drop of oil will extend the life of the roller.

When the brush is worn to a certain length, the tool may stop.

When this state is reached, both brushes should be changed.

To guarantee the safety and the dependability of the product, repairing or changing the brushes or other maintenance should be carried out by qualified service person.



## ACCESSORIES

Use only accessories that are recommended by the manufacturer for your model. Accessories that may be suitable for one tool may become hazardous when used on another tool.

Always attach grounded (3-prong) extension cords to grounded (3-hole) outlets.


If you must use an extension cord, be sure that the gauge is large enough to carry the amount of current necessary for your power tool. If not, your tool may experience a loss of power, excessive voltage drop or overheating. The smaller the gauge number, the heavier the cord (see table below).

### RECOMMENDED SIZES OF EXTENSION CORDS 120 VOLT AC 60 HZ TOOLS

TOOL CURRENT RATING AMPERE	CONDUCTOR SIZE IN A.W.G			
	10FT.	25FT.	50FT.	100FT.
3-6	18	18	18	18
6-8	18	18	18	16
8-10	18	18	18	14
10-12	16	16	14	14
12-16	14	12	12	-
16-20	12	12	12	-

## SPECIFICATIONS

### SPECIFICATIONS

Voltage	120V  60 Hz
Rated Current	6.0A
Strokes per minute	500-3000/min
Stroke length	23/32"
Max. Cutting Thickness	Wood 3 1/8" Steel 5/16"

## OTHER CONSUMER DO-IT-YOURSELF (DIY) TOOLS

Alltrade offers a full range of Kawasaki™ tools that make DIY jobs easy. If you would like further information on the following products, please contact Alltrade Customer Service Department at 1-800-590-3723.

Cordless Drills/Screwdrivers

Impact Wrenches

Sanders

Jigsaws

Circular Saws

Angle Grinders

Reciprocating Saws

Routers

Rotary Tools

Corded and Cordless Multi-Purpose Tools

Wide Range of Accessories and more

### 3 YEAR LIMITED WARRANTY

#### Express and Exclusive Limited Warranty to Original Retail Buyer

Alltrade Tools LLC (hereinafter "Alltrade") expressly warrants to the original retail purchaser of the accompanying KAWASAKI™ power tool and no one else all parts of the product (except those parts referred to below which are specifically excluded from such warranty (see Exclusions)) to be free from defects in materials and workmanship for a period of three years from original date of purchase, except that such warranty with regard to the battery shall be for a period of two years from original date of purchase, unless the tool is used for commercial or rental purposes.

**SPECIAL WARRANTY NOTE FOR COMMERCIAL OR RENTAL USE:** The above warranty for this Kawasaki™ power tool, including the battery, shall be effective for only 90 days from the original date of purchase if this tool is used for any **COMMERCIAL OR RENTAL PURPOSE.**

The date of purchase shall be the date of shipment to the original purchaser, or the date the original purchaser took possession, custody or control of the product, whichever occurred first. This warranty shall be null and void if the product or any component thereof is modified or altered. This warranty does not apply to any other product and/or component thereof manufactured or distributed by Alltrade, and does not apply to products and/or components thereof designed, manufactured and/or assembled by others, for which Alltrade makes no warranties whatsoever. **THERE ARE NO WARRANTIES WHICH EXTEND BEYOND THE DESCRIPTION ON THE FACE HEREOF.**

#### Warranty Performance

By purchasing the product, purchaser expressly acknowledges and agrees that their sole and exclusive remedy under this warranty shall be strictly limited to the repair or replacement of any covered nonconforming items or parts thereof provided that any such nonconforming item and/or part is promptly returned to Alltrade's facility postage pre-paid and insured (address: ALLTRADE Warranty Claims & Repair, 1431 Via Plata, Long Beach, CA 90810, Attn: Customer Service #1-800-590-3723) within the applicable warranty period, with a written request by purchaser that Alltrade repair and/or replace the nonconforming item and/or part. We recommend that you keep the original product packaging in the event you need to ship the unit. We suggest the package be insured against loss or in transit damage. When sending your product include your name, address, phone number, dated proof of purchase (or copy), and a statement about the nature of problem. Warranty coverage is conditioned upon purchaser furnishing Alltrade with adequate written proof that they are the original purchaser and of the original purchase date. Parts returned, freight prepaid and insured, to Alltrade's facility (see above address) will be inspected and, at Alltrade's option, repaired and/or replaced free of charge if

found to be defective and subject to warranty. Alltrade retains the sole discretion to determine whether any item or part is nonconforming and, if so, whether the item and/or part will be repaired and/or replaced. If the unit is repaired, new or reconditioned replacement parts may be used. If Alltrade chooses to replace the product, it may replace it with a new or reconditioned one of the same or comparable design. The repaired or replaced unit will be warranted under the terms of the remainder of the warranty period. Typically, a defective product that is returned within the first 30 days after the purchase date will be replaced; for items returned after the first 30 days and within the warranty period, covered defective parts not subject to normal wear and tear or other exclusions will be repaired or replaced, at Alltrade's option. During the warranty period, Alltrade will be responsible for the return shipping charges. Alltrade's repair and/or replacement of any nonconforming item and/or part thereof shall constitute fulfillment of all obligations to the purchaser. Alltrade shall not be responsible or liable for any expense, including freight charges, or repairs made outside Alltrade's facility, unless expressly agreed to by Alltrade in writing. Under no circumstances shall Alltrade bear any responsibility for loss of the unit, loss of time or rental, inconvenience, commercial loss or consequential damages.

#### Exclusions

This warranty does not cover parts damaged due to normal wear, abnormal conditions, misapplication, misuse, abuse, accidents, operation at other than recommended pressures or temperatures, improper storage or freight damage. Parts damaged or worn by operation in dusty environments are not warranted. Failure to follow recommended operating and maintenance procedures also voids warranty.

This limited warranty does not apply to accessory items such as drill bits, screwdriving bits, circular saw blades, jigsaw blades, grinding wheels, sanding sheets and other related items.

**DAMAGE TO THE PRODUCT RESULTING FROM TAMPERING, ACCIDENT, ABUSE, NEGLIGENCE, FAILURE TO FOLLOW INSTRUCTIONS, UNAUTHORIZED REPAIRS OR ALTERATIONS, DAMAGE WHILE IN TRANSIT TO OUR SERVICE FACILITY, USE OF UNAPPROVED OR IMPROPER ATTACHMENTS OR ACCESSORIES, COMMERCIAL AND RENTAL APPLICATIONS OR OTHER CAUSES UNRELATED TO PROBLEMS WITH MATERIAL OR WORKMANSHIP ARE NOT COVERED BY THIS WARRANTY.**

Alltrade will not be liable for the following: labor charges, loss or damage resulting from improper operation, maintenance or repairs made by other persons; pre-delivery services such as assembly, oil or lubricants, and adjustment; maintenance services that are normally required to maintain the product.

The use of other than genuine Alltrade Repair Parts will void warranty.

### **Warranty Disclaimers**

EXCLUSION AND DISCLAIMER OF ALL OTHER EXPRESS WARRANTIES, GUARANTIES AND/OR REPRESENTATIONS. EXCEPT FOR THE LIMITED WARRANTY PROVIDED ABOVE, ALL OTHER EXPRESS WARRANTIES, GUARANTIES AND/OR REPRESENTATIONS BY ALLTRADE AND/OR ITS REPRESENTATIVE(S) REGARDING THE DESIGN, MANUFACTURE, PURCHASE, USE AND/OR OPERATION OF THE PRODUCT OR ANY COMPONENT THEREOF SOLD HEREUNDER, REGARDLESS OF WHETHER ANY SUCH WARRANTY, GUARANTY AND/OR REPRESENTATION, WRITTEN OR ORAL, ARISES BY OPERATION OF LAW AND/OR EQUITY AND/OR BY ANY ACT OR OMISSION OF ALLTRADE AND/OR ITS REPRESENTATIVE(S), OR THE BUYER, ARE HEREBY EXPRESSLY EXCLUDED AND DISCLAIMED BY ALLTRADE AND/OR ITS REPRESENTATIVES. PURCHASER KNOWINGLY AND WILLINGLY WAIVES ANY AND ALL SUCH WARRANTIES AND RIGHTS, CLAIMS AND/OR CAUSES OF ACTION ARISING THEREFROM OR BASED THEREON. PURCHASER'S SOLE AND EXCLUSIVE REMEDY IS AS STATED ABOVE.

EXCLUSION AND DISCLAIMER OF ALL IMPLIED WARRANTIES, INCLUDING THE IMPLIED WARRANTIES OF MERCHANTABILITY AND FITNESS FOR A PARTICULAR PURPOSE. NO WARRANTY, ORAL OR WRITTEN, OTHER THAN THE ABOVE WARRANTY IS MADE WITH REGARD TO THIS PRODUCT. ALL EXPRESS AND/OR IMPLIED WARRANTIES, GUARANTIES AND/OR REPRESENTATIONS BY ALLTRADE AND/OR ITS REPRESENTATIVE(S) REGARDING THE DESIGN, MANUFACTURE, PURCHASE, USE AND/OR OPERATION OF THE PRODUCT OR ANY COMPONENT THEREOF SOLD HEREUNDER, REGARDLESS OF WHETHER ANY SUCH WARRANTY, GUARANTY AND/OR REPRESENTATION, WRITTEN OR ORAL, ARISES BY OPERATION OF LAW AND/OR EQUITY AND/OR BY ANY ACT OR OMISSION OF ALLTRADE AND/OR ITS REPRESENTATIVE(S), OR THE PURCHASER, INCLUDING BUT NOT LIMITED TO THE IMPLIED WARRANTY OF MERCHANTABILITY AND THE WARRANTY OF FITNESS FOR A PARTICULAR PURPOSE, ARE HEREBY EXPRESSLY EXCLUDED AND DISCLAIMED BY ALLTRADE AND/OR ITS REPRESENTATIVES. PURCHASER KNOWINGLY AND WILLINGLY WAIVES ANY AND ALL SUCH WARRANTIES AND RIGHTS, CLAIMS AND/OR CAUSES OF ACTION ARISING THEREFROM OR BASED THEREON. PURCHASER'S SOLE AND EXCLUSIVE REMEDY IS AS STATED ABOVE.

### **Limitation Of Liability**

IN NO EVENT SHALL ALLTRADE AND/OR ITS REPRESENTATIVE(S) BE LIABLE FOR INDIRECT, INCIDENTAL, SPECIAL AND/OR CONSEQUENTIAL DAMAGES OF ANY KIND ARISING OUT OF OR RELATED TO, DIRECTLY OR INDIRECTLY, ANY BREACH OF ANY PROVISION OF ANY AGREEMENT BETWEEN ALLTRADE AND/OR ITS REPRESENTATIVE(S) AND PURCHASER, ANY WARRANTY HEREUNDER, AND/OR THE EXISTENCE, DESIGN, MANUFACTURE, PURCHASE, USE AND/OR OPERATION OF ANY ITEM(S) SOLD HEREUNDER EVEN IF ALLTRADE AND/OR ITS

REPRESENTATIVE(S) HAS BEEN ADVISED OF THE POSSIBILITY OF ANY SUCH DAMAGES. IN NO EVENT, WHETHER AS A RESULT OF A BREACH OF CONTRACT, WARRANTY, TORT (INCLUDING NEGLIGENCE) OR OTHERWISE, SHALL ALLTRADE'S AND/OR ITS REPRESENTATIVE(S)' LIABILITY EXCEED THE PRICE OF THE PRODUCT. ANY AND ALL LIABILITY CONNECTED WITH THE USE OF THIS PRODUCT SHALL TERMINATE UPON THE EXPIRATION OF THE WARRANTY PERIODS SPECIFIED ABOVE.

### **Limitations on Warranty Disclaimers**

Some states do not allow limitations on how long an implied warranty lasts and some states do not allow the exclusion or limitation of the incidental or consequential damages, so part or all of the above limitations or exclusions may not apply to you. This warranty gives you specific legal rights, and you may also have other rights which vary from state to state.

If your product is not covered by this warranty, please call our Customer Service Department toll free at 1-800-590-3723 for general repair information and charges.